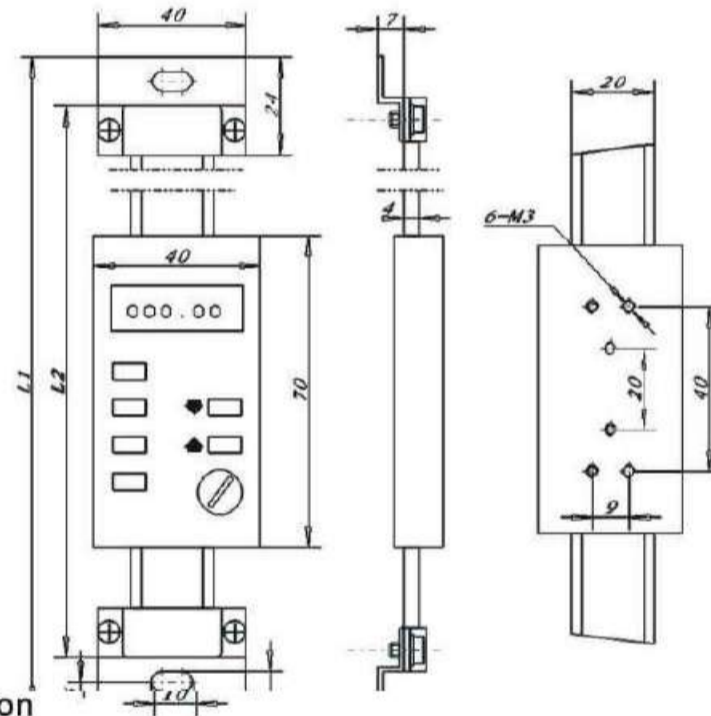
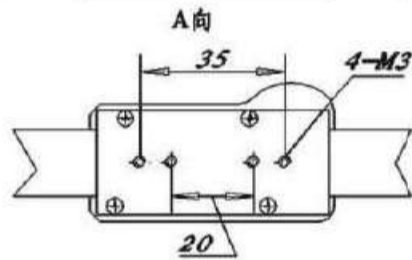
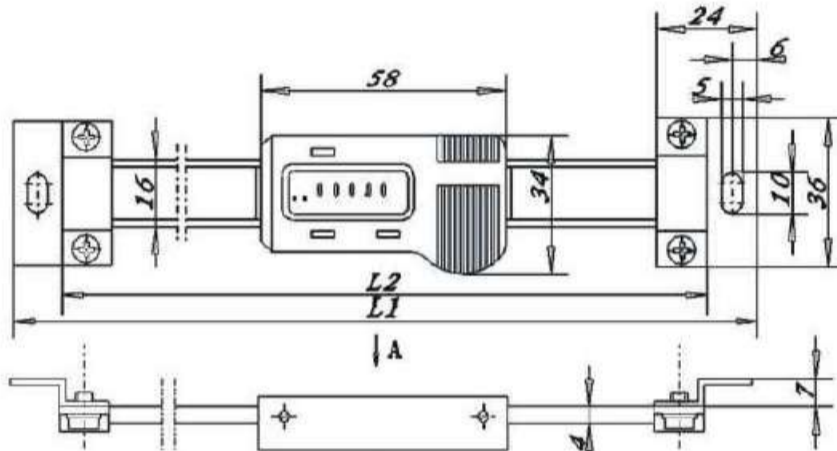


DIGITAL SCALE UNITS (HORIZONTAL\VERTICAL TYPE)



BP-01-***



BP-02-***



Features

- Metric/Inch system interchange at any position
- Zero setting at any position
- Fast tracing of minimum or maximum value during measurements

SPECIFICATION

Order No.	Order No.	Measuring Range	Resolution	Permissible Error	A		B	C		D	E	F		G		L1	L2
					mm	mm		mm	mm			mm	mm	mm	mm		
BP-01-011	BP-02-011	100mm	0.01mm	±0.02mm	16	20	4	36	40	6	24	58	80	34	40	209	185
BP-01-012	BP-02-012	150mm	0.01mm	±0.03mm	16	20	4	36	40	6	24	58	80	34	40	259	235
BP-01-021	BP-02-021	200mm	0.01mm	±0.03mm	16	20	4	36	40	6	24	58	80	34	40	310	286
BP-01-031	BP-02-031	300mm	0.01mm	±0.04mm	16	20	4	36	40	6	24	58	80	34	40	444	420
BP-01-051	BP-02-051	500mm	0.01mm	±0.05mm	24	24	5.5	45	45	8	32	92	80	40	40	682	650
BP-01-101	BP-02-101	1000mm	0.01mm	±0.10mm	32	32	8	60	60	10	40	124.5	95	54	51	1240	1200
BP-01-201	BP-02-201	2000mm	0.01mm	±0.20mm	32	32	8	60	60	10	40	124.5	95	54	51	2240	2200