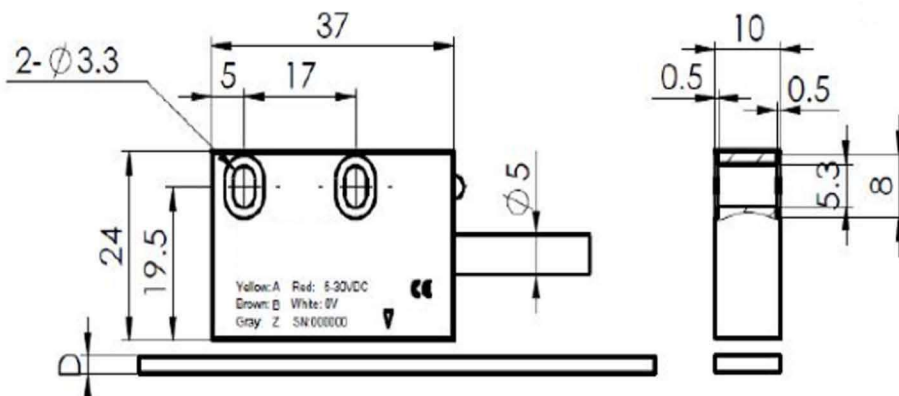


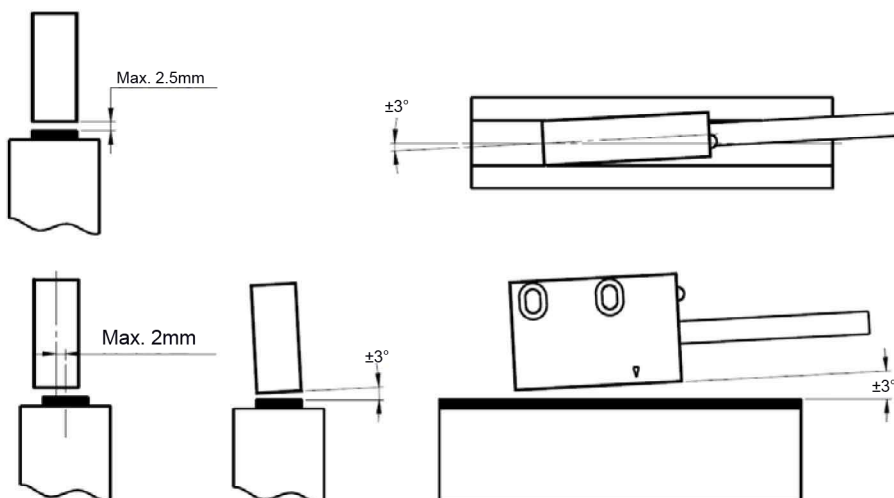
Magnetic Head Reader Manual



Specification

Resolution	5 μ m
Working voltage	5-30V DC
Output signal	A/B/Z
Accuracy	$\pm 50\mu\text{m/m}$
Repeat precision	Max. $\pm 5\mu\text{m/m}$ (single direction)
Installing tap	Max. 2.5mm
Moving speed	Max. 25/s
Output voltage	Max. 30mA
Working condition	20 $^{\circ}\text{C}$ \ +85 $^{\circ}\text{C}$
Ingress Protection	IP68(IEC60529:2001)

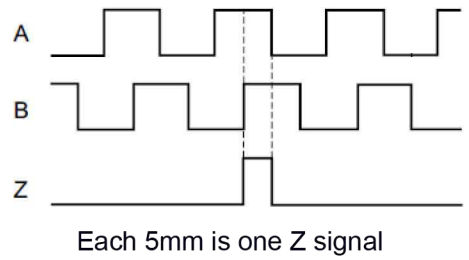
Installing Requests



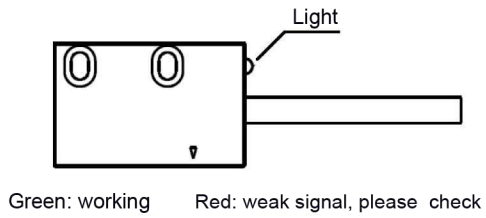
Outputs

+VCC	Red
0V	White
A	Yellow
B	Brown
Z	Grey

Signal



Light



Installing

